

FIRST ALERT

Onelink[®]

Smart Smoke & Carbon Monoxide Alarm

Add smart protection
to your home.



FEATURES



2-in-1 Protection

Smoke & Carbon Monoxide alarm.



Emergency Notifications

Provides remote notification of a Smoke or CO incident via phone.



Voice Alerts

Provides the type and location of danger-select from 13 pre-programmed locations.



Interconnected

Wirelessly Interconnects with other compatible Onelink alarms.



Easy Access Battery Door

Quickly replace batteries.



Meets UL217 and UL2034

Standards for smoke and CO alarms.



Quick, Easy Installation

No wiring required. Install and go!



Replaceable Battery

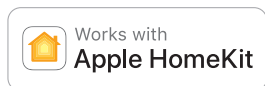
Original battery lasts up to 5 years, with a replaceable battery lasting up to 5 years giving the alarm 10 years of life.



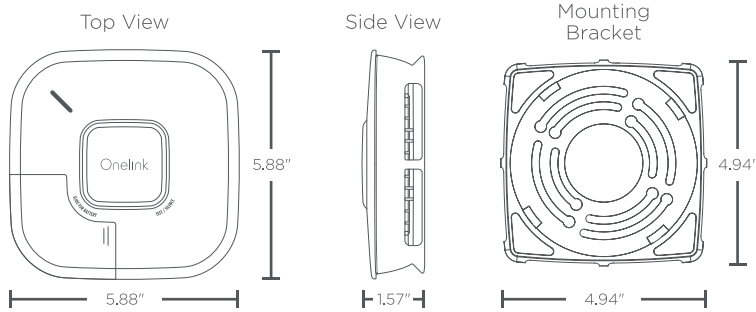
Photoelectric Smoke Sensor

Helps reduce nuisance alarms caused by cooking smoke or shower steam.

Compatibility



Line Drawing Specifications



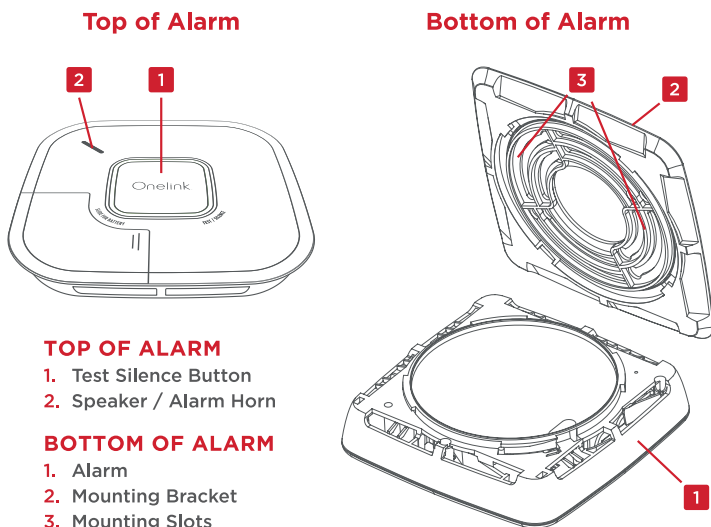
Architectural And Engineering Specs

The alarm shall be a BRK/First Alert Model 1042138 and shall provide at a minimum the following features and functions:

1. A photoelectric smoke sensing chamber and an electrochemical CO sensor.
2. The unit shall be capable of self restoring.
3. A fully screened smoke sensing chamber to resist entry of small insects thereby reducing the probability of unwanted alarms.
4. Powered by lithium battery supply.
5. Interconnected: Bluetooth BLE communication between alarms and Wi-Fi to connect to your iOS device.
6. A Voice Warning of danger detected in addition to speaking one of 13 pre-programmed locations, e.g. "Warning, Evacuate, Smoke in Basement".
7. Onelink App: App provides real time notification and history logging of all events by alarm so you can easily identify condition and troubleshoot incidents such as identifying initiating alarm or low battery condition.
8. A solid state piezo horn rated at 85dB at 10 ft.
9. A low power warning indicator shall cause the alarm to "chirp" when it reaches the end of its service life and needs to be replaced. Upon end of life, the unit shall meet UL requirements for disabling the alarm and the non re-installation of unit to mounting bracket.
10. Multi-Color Indicator Ring: provides visual indication of various alarm states. Green: Normal or completed operation; Blue: Voice prompts or Pairing; Red: Alarm/Warning; Amber: Malfunction/End of Life; White: Night light
11. The unit shall be capable of operating between 40°F (4°C) and 100°F (38°C) and relative humidity between 10% and 95%.
12. The unit shall contain mounting hardware and shall be listed for wall or ceiling mounting.
13. The unit shall at a minimum meet the requirements of UL217, UL2034, CSFM, HUD, NFPA 72, NFPA 720, NFPA 101, ICC.

Parts of this Alarm

Installation of this alarm must conform to all NFPA 72 and NFPA 720. Always check your local building codes. Follow all instructions for placement as outlined in the user's manual in sections titled "Recommended Locations for Smoke Alarms" and "Locations to Avoid for Smoke Alarms".



Technical Specifications

Alarm Dimensions:	5.88"W x 5.88"L x 1.57"H
Alarm Weight:	0.75 lbs
Operating Voltage:	3V Lithium Power
Smoke Sensor:	Photoelectric
CO Sensor:	Electrochemical
Temperature Range:	40° F (4° C) to 100° F (38° C)
Humidity Range:	10% to 95% relative humidity (RH)
Audio Alarm:	85dB at 10 feet
Voice Output:	Choice of 13 pre-programmed locations
BLE Wireless Frequency:	2.4 GHz. FCC approved. Complies with Part 15 of the FCC rules.
Wi-Fi:	IEEE 802.11 b/g/n Radio/WLAN
Test/Silence:	Electronically simulates smoke and/or CO conditions causing the unit to alarm. Press and hold test/silence button.
Alarm Reset:	Automatic when smoke and/or CO clears.
Interconnections:	Interconnects with other AC & DC Onelink SmartWiFi Combination Alarms (iOS/Android compatible models only). Interconnects with Onelink Safe & Sound and traditional BRK hardwired alarm models (with installation of AC Smart WiFi Combo Alarm as bridge unit). Visit www.firstalert.com/product/onelinksmokeco to view alarms compatible with Onelink Smart Smoke & Carbon Monoxide Alarm.
Warranty:	5 Years
Agency Model:	1042136
Listing:	UL217 and UL2034 Standards, CSFM



Shipping Specifications

Individual Carton

Dimensions:	6.5"W x 3"L x 6.5"H
Weight:	1.08 lbs.
Cube:	0.07335 ft ³
UPC:	29054 02035 2

Master Carton

Dimensions:	7.5"W x 7"L x 7.75"H
Master Pack Qty:	2
Weight:	3.6 lbs.
Cube:	0.28 ft ³
I 2of5:	100 29054 02035 9

Pallet Information

Cases per Layer:	35
Number of Layers:	6
Cases per Pallet:	210
Units per Pallet:	420
Cube:	58.81 ft ³
Weight:	720 lbs.



©2019 BRK Brands, Inc. All rights reserved. Distributed by BRK Brands, Inc. 3901 Liberty Street, Aurora, Illinois 60504. BRK Brands, Inc. is a subsidiary of Newell Brands Inc. (NYSE:NWL). BRK is a registered trademark of BRK Brands, Inc.

www.brkelectronics.com/onelink